

# Quick Start Guide

## 32-Port 40G Top-of-Rack Switch

AS6712-32X

### 1. Unpack the Switch and Check Contents



AS6712-32X Switch



Rack Mounting Kit—contains 2 front brackets, 2 rear adjustable brackets, 16 bracket screws, and 2 locking screws



Grounding Wire



Power Cord—either Japan, US, Continental Europe or UK (included with AC PSUs only)



Console Cable—RJ-45 to DB-9



Documentation—*Quick Start Guide* (this document) and *Safety and Regulatory Information*

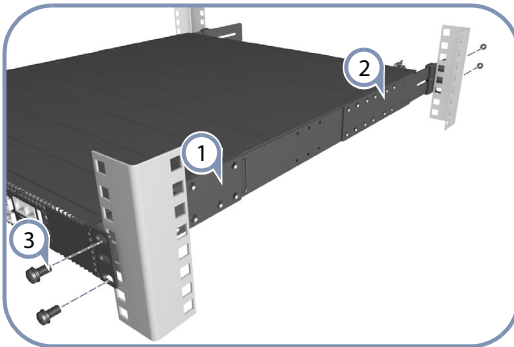


**Note:** The switch has the Open Network Install Environment (ONIE) software installer pre-loaded, but no switch software image pre-loaded. Information about compatible switch software can be found at [www.edge-core.com](http://www.edge-core.com).



**Caution:** The switch includes two plug-in AC or DC PSUs and five fan tray modules that are installed into its chassis. All installed modules must have a matching airflow direction. That is, all modules must have a front-to-back (F2B) airflow direction, or all modules must have a back-to-front (B2F) airflow direction. The airflow direction of PSU and fan tray modules is indicated by labels on the modules.

### 2. Mount the Switch

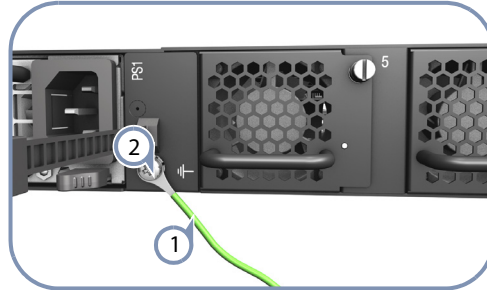


- 1 Attach the two front brackets to the front of the switch.
- 2 Attach the two adjustable rear brackets to the rear of the switch. The brackets can be attached in various positions and adjusted to fit different rack depths from 56 cm to 85.3 cm.
- 3 Use the screws supplied with the rack to secure the switch in the rack.



**Caution:** Installing the switch in a rack requires two people. One person should position the switch in the rack, while the other secures it using the rack screws.

### 3. Ground the Switch

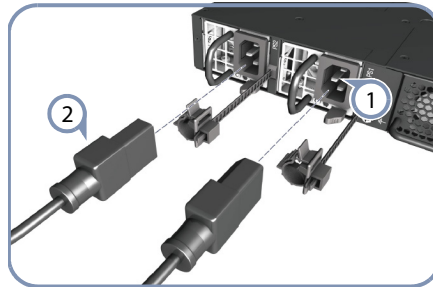


- 1 Ensure the rack is properly grounded and in compliance with ETSI ETS 300 253. Verify that there is a good electrical connection to the grounding point on the rack (no paint or isolating surface treatment).
- 2 Attach a lug (not provided with AC PSUs) to an 16 AWG minimum grounding wire (not provided with AC PSUs), and connect it to the grounding point on the switch rear panel. Then connect the other end of the wire to rack ground.



**Caution:** The earth connection must not be removed unless all supply connections have been disconnected.

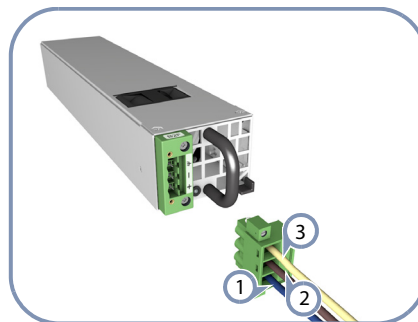
### 4. Connect Power



- 1 Install one or two AC or DC power modules in the switch. The switch supports up to two PSUs that must have the same matching airflow direction as the installed fan trays.
- 2 Connect an external AC or DC power source to the modules.

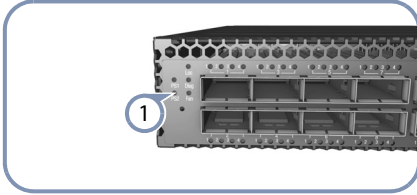


**Caution:** Use a UL/IEC/EN 60950-1 certified power supply to connect to DC converter and a 14AWG wire to connect to DC PSU.



- 1 48 VDC Return (blue wire)
- 2 -48 VDC (brown wire)
- 3 Chassis Ground (yellow-green wire)

## 5. Verify Switch Operation



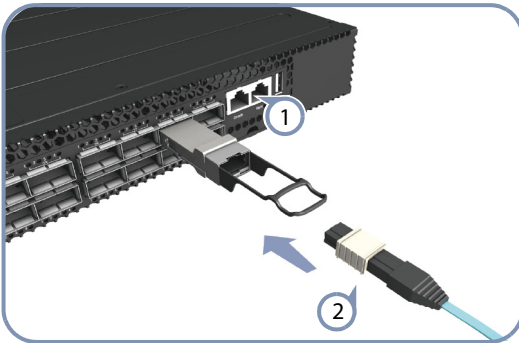
- 1 Verify basic switch operation by checking the system LEDs. When operating normally, the PS1/PS2, Diag, and Fan LEDs should all be on green.

## 6. Perform Initial System Boot

- 1 If the network operating system (NOS) installer is located on a network server, first connect the RJ-45 Management (Mgmt) port to the network using Category 5, 5e or better twisted-pair cable. (Not required if the NOS installer is located on attached storage.)
- 2 Boot the switch. Wait for the ONIE software to locate and execute the NOS installer, and then wait for the installer to load the NOS software image. Subsequent switch boots will bypass ONIE and directly run the NOS software.

**Note:** Refer to the network operating system (NOS) installer and NOS documentation for details on software options and set up for ONIE.

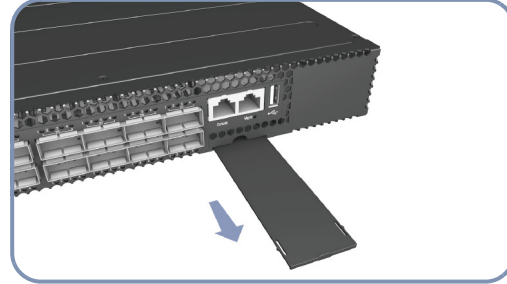
## 7. Connect Network Cables



- 1 For the RJ-45 Management port, connect 100-ohm Category 5, 5e or better twisted-pair cable.
- 2 Connect DAC cables to the QSFP+ slots. Or first install QSFP+ transceivers and then connect fiber optic cabling to the transceiver ports.  
The following transceivers are supported:
  - ◆ 40GBASE-CR4
  - ◆ 40GBASE-SR4
  - ◆ 40GBASE-LR4

**Note:** As connections are made, check the port status LEDs to be sure the links are valid.

## 8. View the Product Label



- 1 The switch product label is located below the Mgmt and Console ports on the right side of the front panel. Pull the label out to view the product information.

## Hardware Specifications

### Switch Chassis

Size (WxDxH)	438.4 x 515 x 43.5 mm (17.26 x 20.28 x 1.73 inches)
Weight	9.135 kg (20.12 lb), with two installed PSUs
Temperature	Operating: 0° C to 40° C (32° F to 104° F) Storage: -40° C to 70° C (-40° F to 158° F)
Humidity	Operating: 5% to 95% (non-condensing)
Power Consumption	355 Watts maximum

### AC PSU

Power Rating	100–240 VAC, 50–60 Hz, 400 Watts, hot pluggable
AC Input	100–240 VAC, 50–60 Hz, 6–3 A
DC Output	5 VDC @ 3 A, 12 VDC @ 33 A

### DC PSU

Power Rating	48 VDC, 400 Watts, hot pluggable
DC Input	36–75 VDC, 16 A maximum
DC Output	5 VDC @ 0.5 A, 12 VDC @ 33 A

### Regulatory Compliances

Emissions	EN 55022:2010, Class A EN 61000-3-2:2009, Class A EN 61000-3-3:2008 FCC Class A VCCI Class A CE Mark
Immunity	EN 55024:2010 IEC 61000-4-2/3/4/5/6/8/11
Safety	UL (CSA 22.2 No 60950-1 & UL60950-1) CB (IEC/EN60950-1)