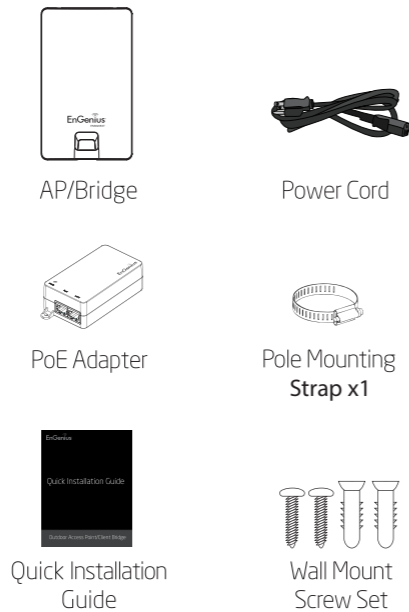


Package Contents



Detachable Antennas

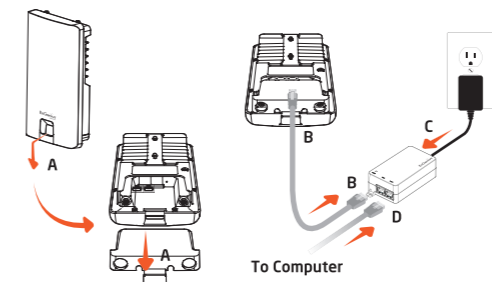
(ENS500EXT-AC: 2x 5GHz Antennas ; ENS610EXT/ENS620EXT: 2x 2.4GHz Antennas, 2x 5GHz Antennas)

Minimum Requirements

- + Broadband Internet Service (Cable or DSL Modem)
- + Internet Browser (Internet Explorer, Safari, Firefox, Chrome, Edge)

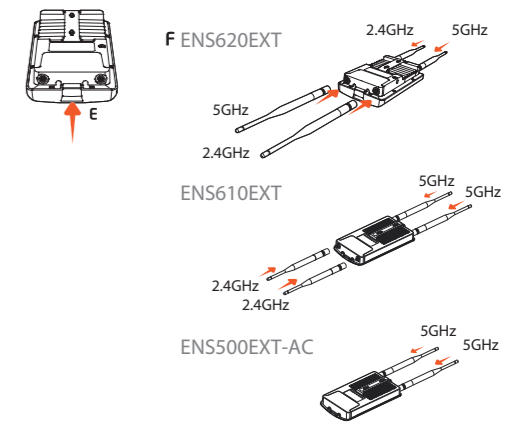
1 Connecting the AP/Bridge

- Remove the rear bottom panel.
- Connect one end of the Ethernet cable into the LAN(PoE) port of the AP/Bridge and the other end to the PoE Port on the PoE Adapter.
- Connect the Power cord with the PoE Adapter and plug the other end into an electrical outlet.
- Connect the second Ethernet cable into the LAN port of the PoE Adapter and the other end to the Ethernet Port on the computer.



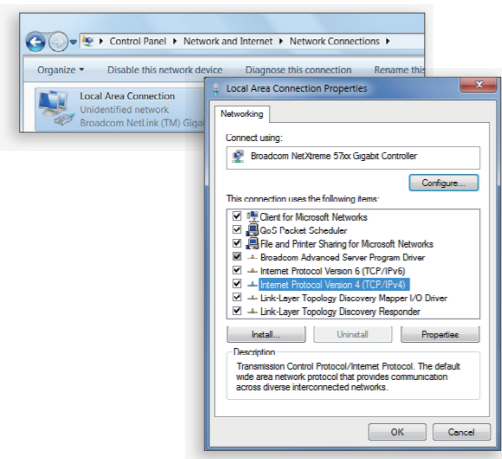
- Place the panel removed from step A back into the device.
- Screw on the provided antennas to the top of devices (External Antennas devices only).

Note: The AP/Bridge should ONLY be powered via Ethernet cable connected to the included PoE Adapter.

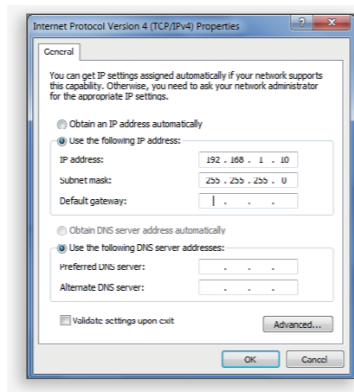


2 IP Address Configuration

- Once your computer is on, ensure that your TCP/IP is set to **On** or **Enabled**. Open **Network Connections** and then click **Local Area Connection**. Select **Internet Protocol Version 4 (TCP/IPv4)**.

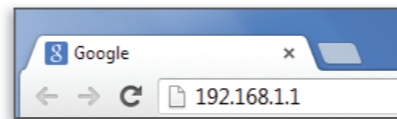


- If your computer is already on a network, ensure that you have set it to a Static IP Address on the interface. (Example: 192.168.1.10 and the Subnet Mask address as 255.255.255.0.)

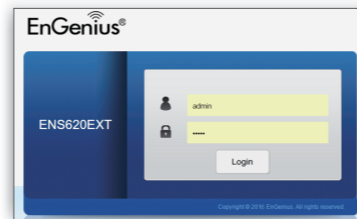


3 AP/Bridge Setup

- To configure the AP/Bridge, open a web browser. In the address bar of web browser, enter **192.168.1.1** and hit enter.

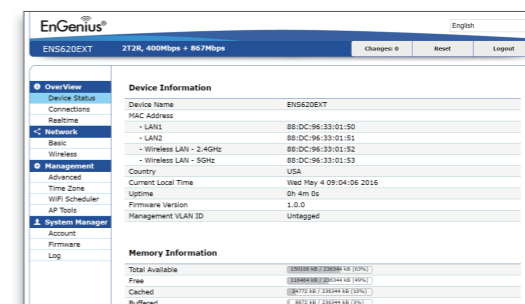


- A login screen will appear. By default, the username of the AP/Bridge is admin and the password is admin. Enter the current username and password of the AP/Bridge and then click Login.

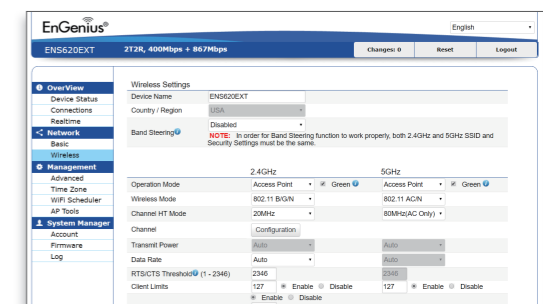


4 Switching Modes

- The device can operate in the following modes: **Access Point, Client Bridge, WDS AP, WDS Bridge, and WDS Station.**



- Click on the **Wireless** link under the **Network**.

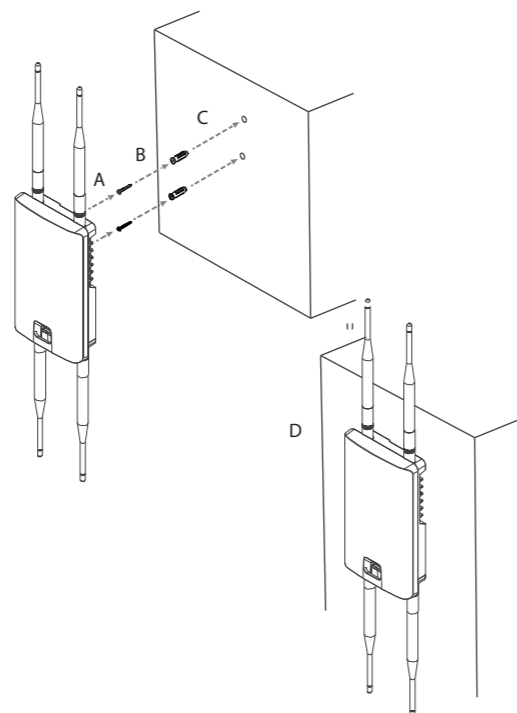


* It may take up to 90 seconds for device to initially power up.

5 Mounting AP/Bridge

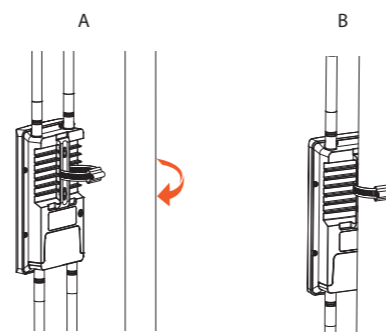
Wall Mounting the Access Point

- Determine where the Access Point to be placed and mark location on the surface for the two mounting holes. Use the appropriate drill bit to drill two 8.1mm diameter and 26mm depth holes in the markings and hammer the bolts into the openings.
- Screw the anchors onto the holes until they are flush with the wall.
- Screw the included screws into the anchors.
- Place the Access Point against wall with the mounting screw heads.



Pole Mounting the Access Point

- Thread the open end of the Pole Strap through the two tabs on the Pole Mount Bracket.
- Lock and tighten Pole Strap to secure Pole Mount Bracket to the pole.



Technical Support

Country of Purchase	Service Center	Service Information
North America www.engeniuscanada.com	Canada	rma@engeniuscanada.com Toll Free: (+1) 888 397 2788 Local: (+1) 905 940 8181
www.engenius-tech.com	Los Angeles, USA	support@engeniustech.com Toll Free: (+1) 888 735 7888 Local: (+1) 714 432 8668
Europe www.engeniusnetworks.eu	Netherlands	support@engeniusnetwork.eu (+31) 40 8200 887
Africa CIS Middle East Russia www.engenius-me.com	Dubai, UAE	support@engenius-me.com Toll Free: U.A.E.: 800-EnGenius 800-364-364-87 General: (+971) 4 357 5599
Asia Oceania www.engeniustech.com.sg	Singapore	www.engeniustech.com.sg/ e_warranty_formtechsupport @engeniustech.com.sg Toll Free: Singapore: (+65) 6 227 1088
Others www.engeniusnetwork.com	Taiwan, R.O.C.	technology@sena.com

Notes

Maximum data rates are based on IEEE 802.11 standards. Actual throughput and range may vary depending on many factors including environmental conditions, distance between devices, radio interference in the operating environment, and mix of devices in the network. Features and specifications subject to change without notice. Trademarks and registered trademarks are the property of their respective owners. For United States of America: Copyright © 2017 EnGenius Technologies, Inc. All rights reserved.



Dimension:成型77*99mm
Material:80磅模造紙
Tolerance:+/-1mm
Ink:單色黑印刷

部門	外觀設計課		料號	6709A3203010			
日期	2017/05/15	比例	1/1	單位	mm	工業設計工程師	<i>Stella</i>
該專案經理人或業務之內容核准			<i>Yves</i>	檢圖	<i>Rennier</i>		