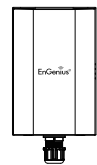


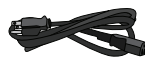
Package Contents



AP/Bridge



Quick Installation Guide



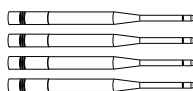
Power Cord



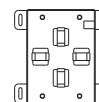
PoE Adapter



Pole Mounting Strap x2



Detachable Antennas
2 x 2.4GHz Antennas
2 x 5GHz Antennas



Mounting Bracket



Mounting Screw Set x 2



Ground Wire & Screw Set

Quick Installation Guide

EWS850AP
Version 1.0

Minimum Requirements

- + Broadband Internet Service (Cable or DSL Modem)
- + Internet Browser (Internet Explorer, Safari, Firefox, Chrome, Edge)

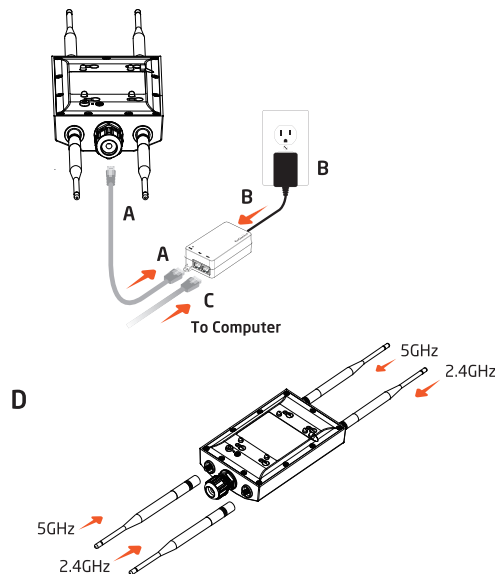
WiFi 6 (11ax) Outdoor Access Point/Client Bridge

1 Connecting the AP/Bridge

- Connect one end of the Ethernet cable into the LAN(PoE) port of the AP/Bridge and the other end to the PoE port on the PoE Adapter.
- Connect the power cord with the PoE Adapter and plug the other end into an electrical outlet.
- Connect the second Ethernet cable into the LAN port of the PoE Adapter and the other end to the Ethernet port on the computer.
- Screw on the provided antennas to the top of devices.
- When all the process is completed, the LED light will be active as below:

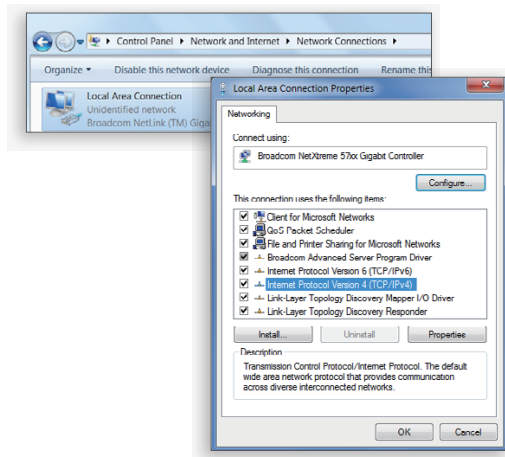
LED	State	Description
PWR (ORANGE)	OFF	No power connection.
	On Steady	When the device is connected to a power source.
LAN (PoE) (Green/Amber)	OFF	No Ethernet connection.
	On Steady	An active Ethernet connection is made to the LAN (PoE) port.
2.4GHz (Green)	Blink	Data is being Transmitting/Receiving. The LED color indicates the Ethernet connection speed. Amber for 2.5Gbps and Green for 1Gbps or 100Mbps.
	On Steady	Ready for data Transmitting/Receiving.
5GHz (Green)	Blink	Data is being Transmitting/Receiving.
	On Steady	Ready for data Transmitting/Receiving.

Note: The AP/Bridge should ONLY be powered via Ethernet cable connected to the included PoE Adapter EPA5006GR. You can cover the device to factory default or users default via the reset button on it.

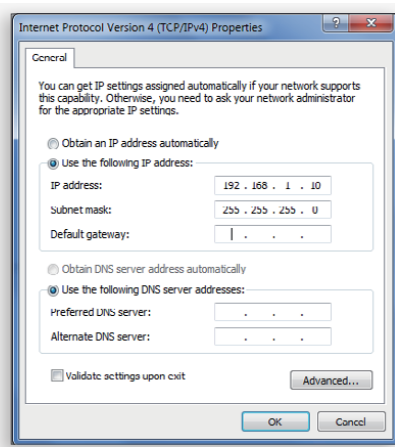


2 IP Address Configuration

- Once your computer is on, ensure that your TCP/IP is set to On or Enabled. Open **Network Connections** and then click **Local Area Connection**. Select **Internet Protocol Version 4 (TCP/IPv4)**.



- If your computer is already on a network, ensure that you have set it to a static IP address on the interface. (Example: 192.168.1.10 and the Subnet Mask address as 255.255.255.0.)



3 AP/Bridge Setup

- To configure the device, open a web browser. In the address bar of web browser, enter **192.168.1.1** and hit enter.



- A login screen will appear. By default, the user-name of the AP/Bridge is **admin** and the password is **admin**. Enter the current username and password of the AP/ Bridge and then click **Login**.



* The model name will be varied by different models.

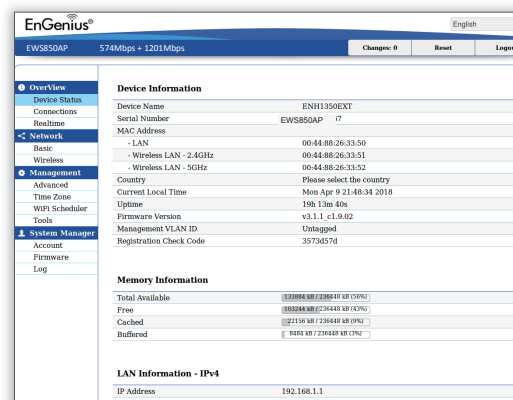
- You can also use the EnWiFi App and connect to the management SSID which is on the device label and GUI to configure the device. The default Wi-Fi password is 12345678.



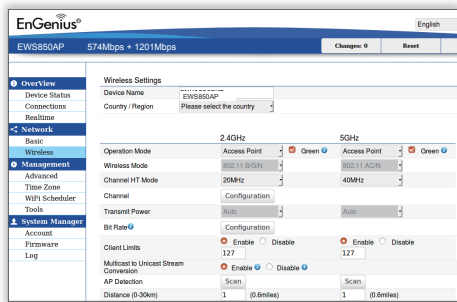
4 Switching Modes

Configure on GUI

- The device can operate in the following mode: Access Point, Mesh, WDS AP, WDS Bridge, and WDS Station.



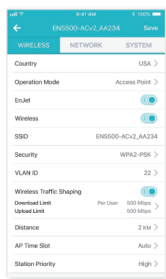
- B)** Click on the **Wireless** link under the **Network** and setup the Operation Mode.



* It may take up to 90 seconds for device to initially power up.

Configure on EnWiFi App

- C)** Use EnWiFi App, open configure → Wireless to setup the Operation Mode.



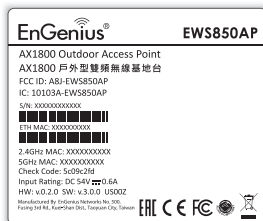
5 Manage on ezMaster / SkyKey

A) Register Devices into Inventory

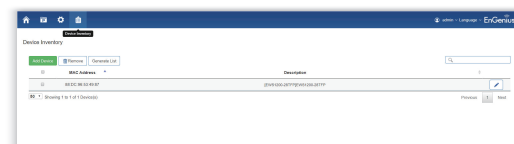
- a.** Login in your ezMaster / SkyKey.



- b.** Before adding devices to your Inventory, please check ETH MAC and checkcode of devices.



- c.** Go to inventory under global setting of ezMaster / SkyKey and click "Add devices" for inserting ETH MAC and checkcode of devices under the column.



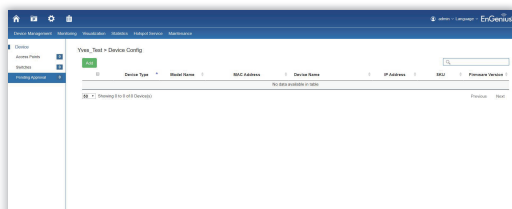
- d.** Click "Register" to register devices into the inventory.



- e.** These devices were in the inventory of ezMaster / SkyKey.

B) Add Device into a Project

- a.** Select a project and go to the device list. The unmanaged devices including Access Points and Switches will be displayed on the list.*
- b.** Select devices and then click "Add" button to arrange these devices to the project.



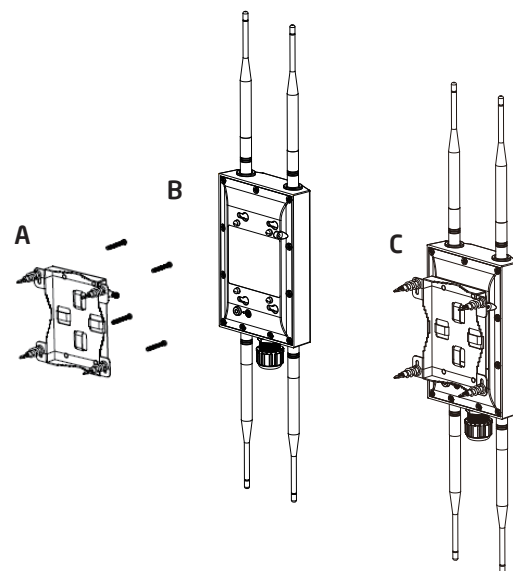
- c.** You can initialize to manage devices under the project. You can consider to manage single device only or a group of configuration.

* All managed devices connected to the same network as ezMaster / SkyKey will appear on the device list automatically. You do not need to add device to the inventory list firstly.

6 Mounting the Outdoor Access Point

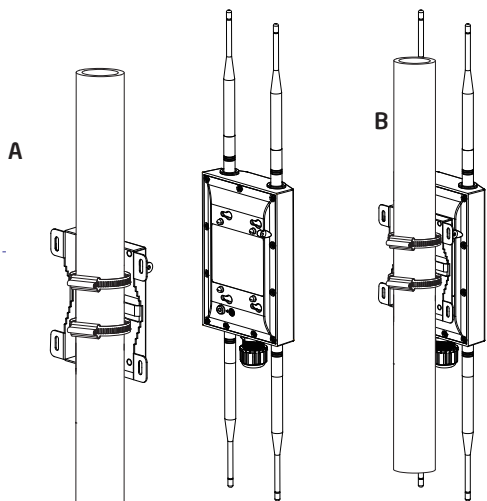
Wall Mounting the Access Point

- A)** Determine where the Access Point to be placed and mark location on the surface for the four mounting holes of wall mount base. Use the appropriate drill bit to drill two 8.1mm diameter and 26mm depth holes in the markings and hammer the bolts into the openings. Screw the anchors into the holes until they are flush with the wall.
- B)** Screw the included screws into the anchors.
- C)** Slide the mount bracket into the slot of the Access Point.



Pole Mounting the Access Point

- A)** Thread the open end of the pole strap through the two tabs on the pole mount bracket.
- B)** Lock and tighten pole strap to secure pole mount bracket to pole.



Technical Support

Country of Purchase Service Center Service Information

North America
www.engenius.com

Los Angeles, USA

support@engenius.com
Local: (+1) 714 432 8668

www.engeniuscanada.com

Canada

rma@engeniuscanada.com
Toll Free: 888 397 2788
Local: (+1) 905 940 8181

Europe
www.engeniusnetworks.eu

Netherlands

support@engeniusnetworks.eu
Local: (+31) 40 8200 867

Africa / CIS / Middle East
www.engenius-me.com

Dubai, UAE

support@engenius-me.com
Local: (+971) 4 339 1227

Asia / Oceania
www.engenius.com.sg

Singapore

techsupport@engenius.com.sg
Local: (+65) 6227 1088

Taiwan
www.engenius.com.tw

Taiwan, R.O.C.

twsupport@engenius.com.tw
Toll Free: 0800 003 885
Local: (+886) 2 2652 1808

Notes

EnGenius

Maximum data rates are based on IEEE 802.11 standards. Actual throughput and range may vary depending on many factors including environmental conditions, distance between devices, radio interference in the operating environment, and mix of devices in the network. Features and specifications subject to change without notice. Trademarks and registered trademarks are the property of their respective owners. For United States of America: Copyright © 2020 EnGenius Technologies, Inc. All rights reserved.